



Decomatic[®] Vertical Track System

Architectural Specifications

| | |
|----------------------------------|----------|
| General System Specifications | Page 1-3 |
| Standard Head Rail | Page 4 |
| One – Wand Head Rail | Page 5 |
| Slope Head Rail | Page 6 |
| Arch Head Rail | Page 7-8 |
| Curve Head Rail | Page 9 |
| DA1000 (tilt only) battery motor | Page 10 |
| DA2000 electric motor | Page 11 |
| Top & Bottom Head Rail | Page 12 |
| Skylight Head Rail | Page 13 |
| Off-Center Head Rail | Page 14 |
| Mounting Hardware | Page 15 |
| Valance Hardware | Page 16 |
| Warranty | Page 17 |

rev. 10-16-07

Sunteca offers a wide variety of vertical track systems that are designed to fit any customer's needs. As a worldwide manufacturer of vertical blind components, assembly tooling and automated machinery, we have the knowledge and experience to offer you the highest quality track systems, at a competitive price.

Sunteca vertical track systems are available up to 20 feet wide. Additionally, we offer many control and stack options to satisfy the most discriminating customer.

Sunteca specialty applications include:

Motorized Tracks - DA2000 electric motor system is low voltage (12v), that provides full tilt and traverse operation. Control options available are IR, RF, Wall Switch, Sun Sensor and Timer, available on all Decomatic track systems.

DA1000 battery powered (Tilt-Only) motor system offers affordable convenience, controlled by a IR six channel remote.

Curved Tracks - available for both curve (horizontal bend) and Arch (vertical bend). combination curve/straight is possible and may be motorized with the DA2000 for automatic operation.

Slope Tracks - angles up to 55 degrees with 100% equal spacing, rotation and traversing with built-in cord lock and may be motorized with the DA2000 for automatic operation.

One-Wand Tracks - one-wand for rotating and traversing the vanes.

Top and Bottom Tracks - suitable for skylight and wall mounted applications and may be motorized with the DA2000 for automatic operation.

This technical information package is designed to give you an overall view of the products and services offered. For additional information, contact us at 1-800-366-0089.

Sunteca Systems, Inc.

Decomatic Heavy Duty Vertical System

The word "Decomatic" consists of Decorative and Automatic. As a product, it is the first vertical blind system worldwide that was specially designed to be processed on automatic equipment. And, best of all, it is loaded with unique features to give years of trouble free service.

General Specifications

General - Heavy-duty vertical track system capable of rotating and traversing at widths up to 240" for residential and commercial applications. The hook replacement feature is provided with all Decomatic tracks.

Operation - Cord, Wand, DA2000 low voltage motor, DA1000 battery operated motor. Available stack configurations: one-way, split, center, opposite and off-center.

Specialty Applications - Curve (horizontal bend), Arch (vertical bend), Motorized, Slope (angle), Skylight, Top and Bottom track (wall mounted).

Head Rail - Made of extruded aluminum alloy 6063-T5, 1-1/2" wide X 1" high. The extrusion has a normal wall thickness of .045" Available finishes are Clear Anodized, White and Bronze powder coated.

Tilt Shaft - Made of extruded aluminum alloy 6063-T5, 1/4" diameter, single groove.

Carrier - Each carrier is 5/16" wide with two wheels, molded of self lubricating plastic such as Celcon. The carriers have a geared clutch system for overload protection and a steel clutch spring to reinforce positive action. There also is a unique stabilizer bar designed to fit into the extruded slot in the aluminum head rail to provide smooth traversing along the width of the head rail. The hooks of the carrier are made of clear, high ultra-violet resistant Lexan and are replaceable even while the unit is installed. The carriers provide the vanes with 185° rotation capability to provide full vane closure and will stay in position unless reset. Maximum vane weight 1-1/4 pounds.

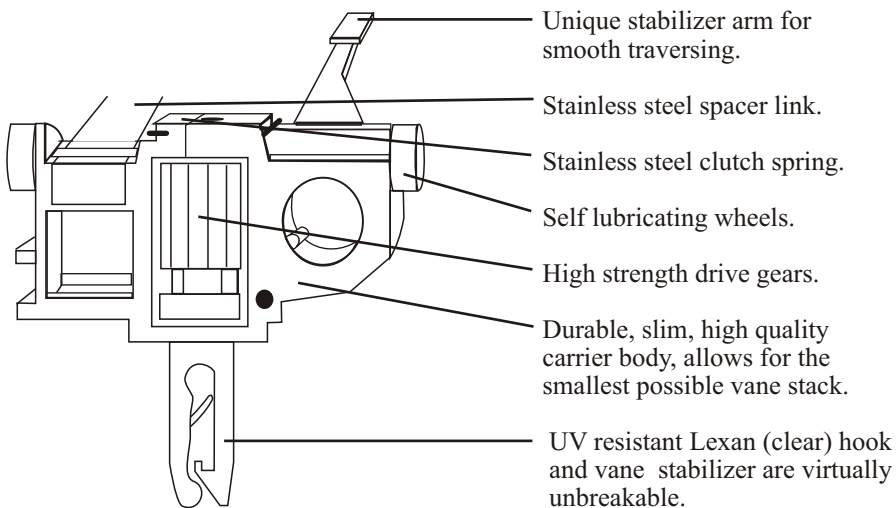
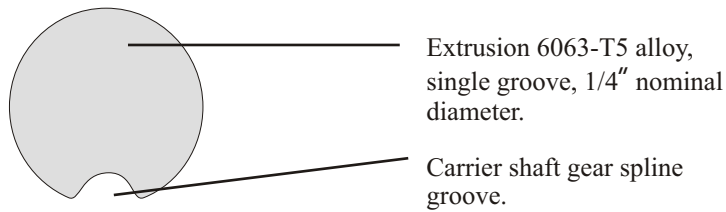
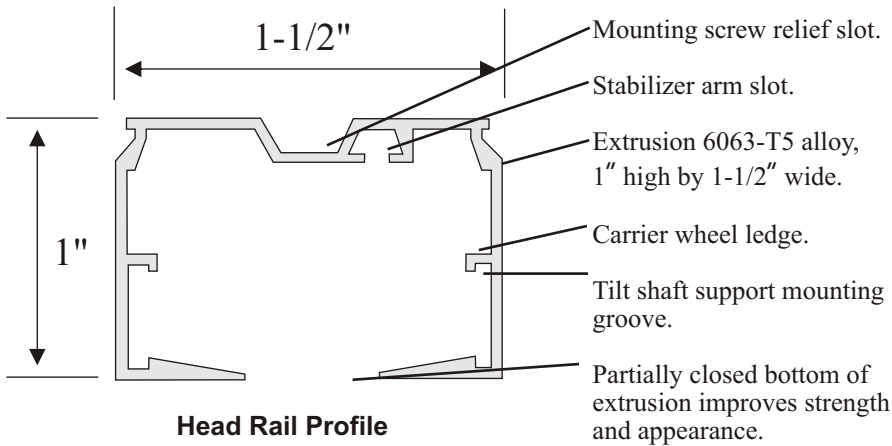
Control Chain - The control chain is made of Celcon beads molded onto a nylon cord or #6 metal chain. One full cycle of the control chain (13-1/2") will self align the vanes.

Spacer Links - The spacers, made of flexible, corrosion proof, stainless steel, are interlocked between carriers to provide smooth traversing. Spacers are 6.03mm x .19mm. Spacing systems are designed for 2", 3-1/2", 4" and 5" vane widths. Special spacing is available up to 8", upon request. Spacing is equal on all vane widths.

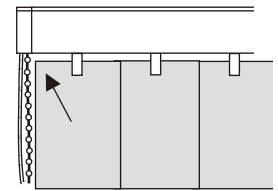
End Caps - All Decomatic tracks are manufactured with completely covered end caps, concealing internal parts for a custom, finished appearance. The end caps are molded of self lubrication plastic such as Celcon and their unique design allows for only 1/4" light gap on the control end of a inside mount vertical. The Decomatic system is available with standard direct drive 1-to-1 rotation mechanism (13-1/2" of control chain required to rotate 180°), or a 4-to-1 ratio rotation mechanism (46" of control chain required to rotate 180°).

Stack - 5/16" wide carrier and 1/4" light gap end cap allows for very tight stacking. 122" one-way draw track stacks in 15" of space.

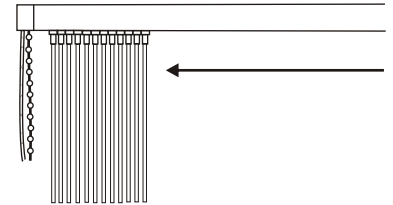
Decomatic® Head Rail



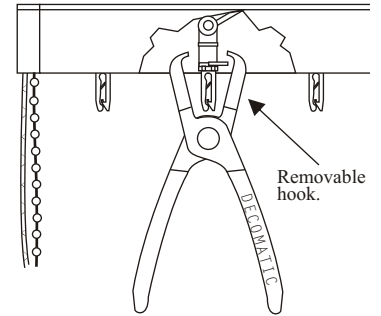
Features and Benefits



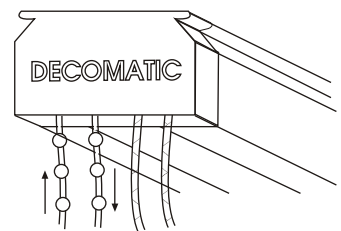
Tight 1/4" light gap on the control side of inside mount blinds.



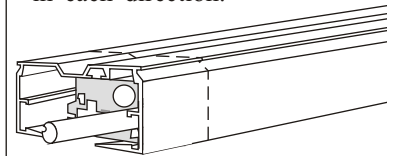
Tightest stacking available for a clean, custom fit.



Removable hooks with hook removal pliers, without un-mounting head rail.

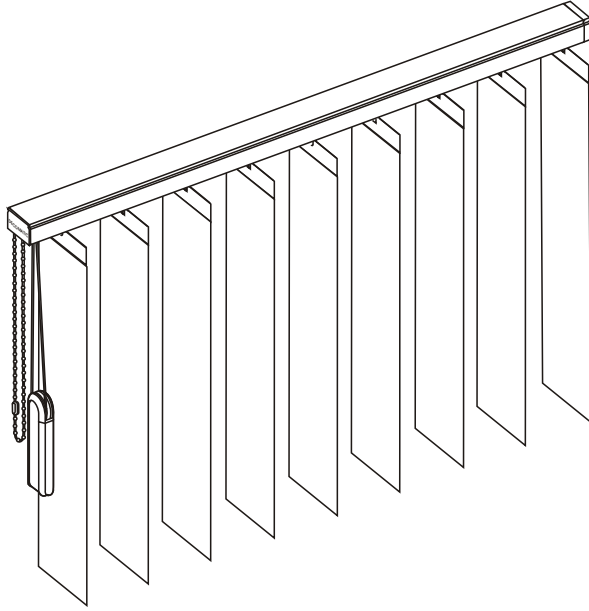


Automatic clutch protected vane alignment by simply rotating the beaded rotation chain 180 degrees in each direction.



Easy cut down without special tools or the removal of push nuts.

Decomatic® Standard



Decomatic is a Heavy-duty vertical track system capable of rotating and traversing at widths up to 240" for residential and commercial applications. Our unique hook replacement feature allows for hook replacement without un-mounting or disassembly of the head rail.

Available Control Options include Cord, Wand, DA2000 low voltage motor and DA1000 battery operated motor.

Specialty Applications include Curve (horizontal bend), Arch (vertical bend), Motorized, Slope (angle), Skylight and Top and Bottom track (wall mounted).

PRODUCT SPECIFICATIONS:

Minimum Width: 10"

Maximum Width: 240"

Maximum Blind Weight: 65 lbs.

Maximum Vane Weight: 1-1/4 lbs.

Extrusion Color: Clear Anodized, White, Bronze

Vane Spacing Available: 2", 3-1/2", 4", 5" and custom sizes up to 8"

Control Options: Cord/Chain, Wand (24", 36" & 60"), DA1000, DA2000

Control Positions: Right, Left

Stack Options: One-Way, Split, Center, Opposite, Off-Center

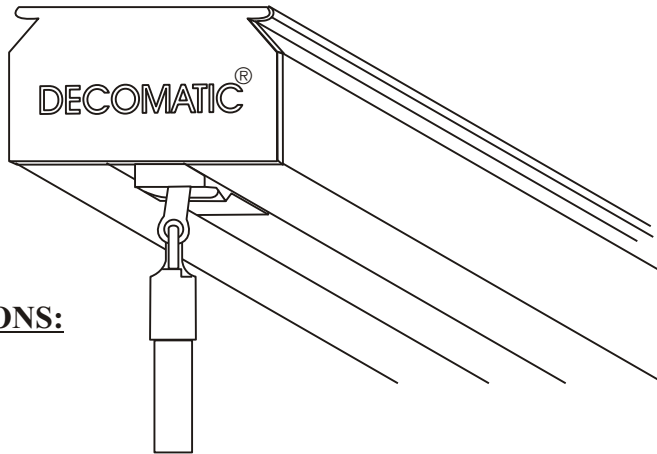
Decomatic® One-Wand

One-Wand is designed to virtually eliminate the risk of strangulation from exposed vertical window blind cords.

Protecting children from household accidents is something every parent should be concerned about.

The majority of accidents involving small children are caused by hidden dangers in the home.

The Decomatic One-Wand is one small step to provide additional safety and comfort in your home or office.



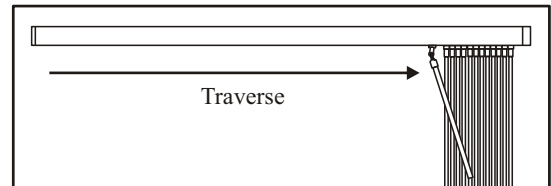
PRODUCT SPECIFICATIONS:

- Minimum Width:** 10"
- Maximum Width:** 192"
- Maximum Blind Weight:** 45 lbs.
- Maximum Vane Weight:** 1-1/4 lbs.

- Extrusion Color:** Clear Anodized, White, Bronze
- Vane Spacing Available:** 2", 3-1/2", 4", 5" and custom sizes up to 8"
- Control Options:** Wand (24", 36" & 60")
- Control Positions:** N/A
- Stack Options:** One-Way

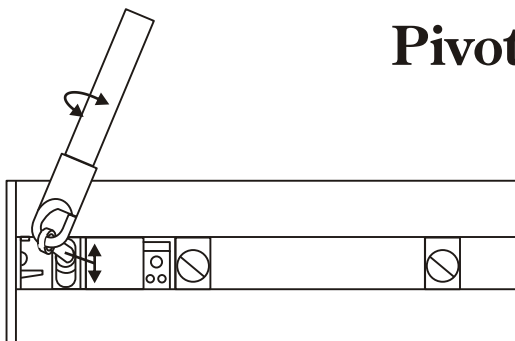
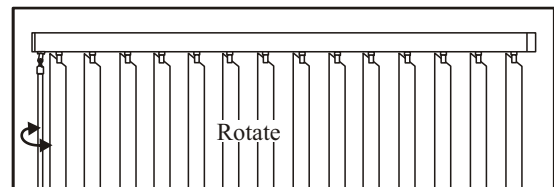
Simply push or pull the wand to traverse the vanes.

- The Decomatic gate type shaft support eliminates
- the need for expensive magnetic support systems.



Twist the wand to rotate the vanes.

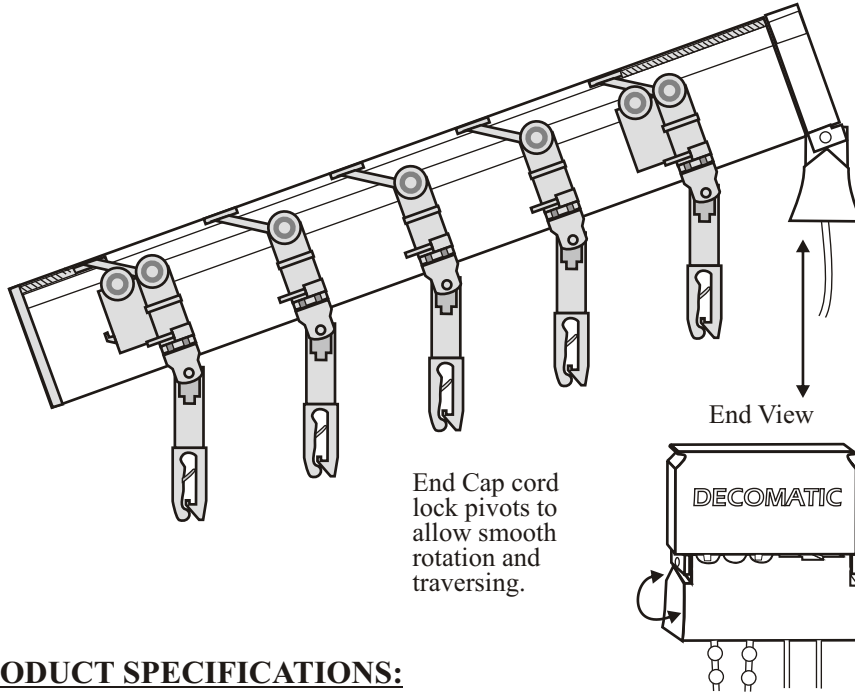
- The Decomatic One-Wand Control System is clutch protected to ensure years of trouble free service.



Pivoting Control System

The wand attachment axle (connection point) pivots as the vertical is rotated. This allows the wand to move away from the vane when the blind is in the closed position.

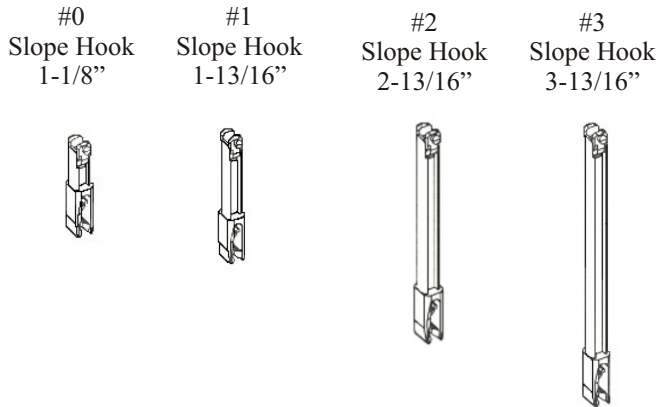
Decomatic® Slope



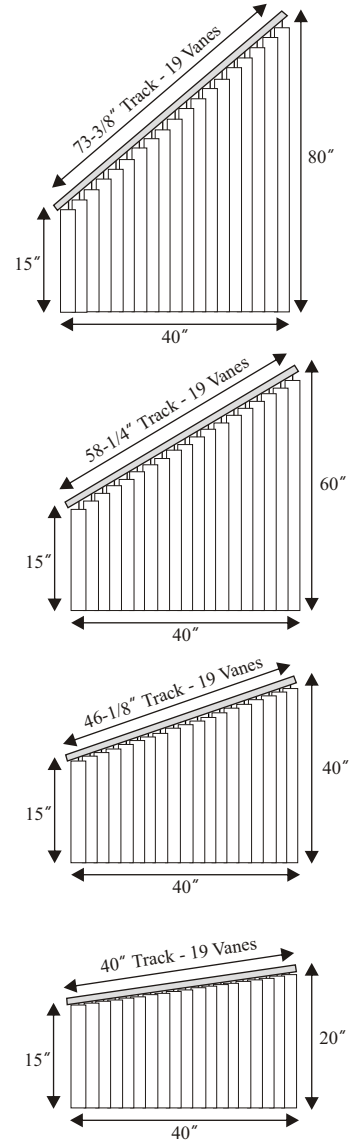
PRODUCT SPECIFICATIONS:

- Minimum Width:** 10"
- Maximum Width:** 240"
- Maximum Angle:** 55°, up to 64° by cutting corner of vane
- Maximum Blind Weight:** 45 lbs.
- Maximum Vane Weight:** 10 oz.

- Extrusion Color:** Clear Anodized, White, Bronze
- Vane Spacing Available:** 2", 3-1/2", 4", 5"
- Control Options:** Cord/Chain, DA1000, DA2000
- Control Positions:** High Side, Low Side
- Stack Options:** One-Way (must stack to high side)



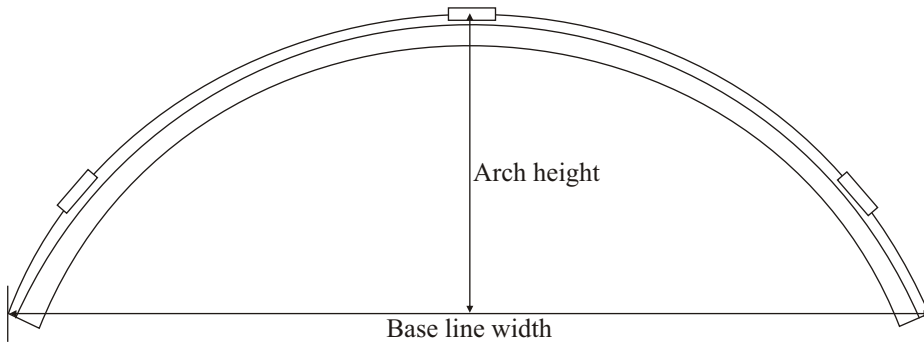
100% Equal Spaced Slope Tracks



The number of vanes is determined by the bottom width of the window opening and will stay the same regardless of angle or length of track.

NOTE: If a standard unit is mounted directly below slope track and the standard unit is the same width as the bottom width of the slope track, both units will have the same vane count.

Decomatic® Arch



Arch height can't exceed 1/4 of base line width

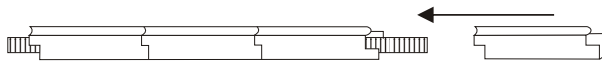
Outside Mount ONLY

PRODUCT SPECIFICATIONS:

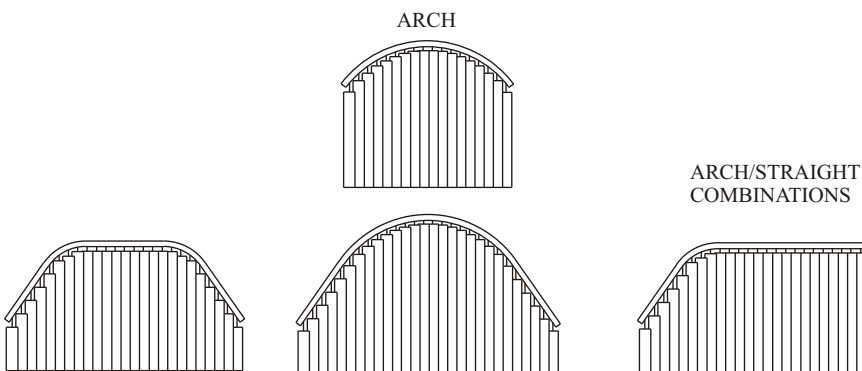
Minimum Arc Length: 10"
Maximum Arc Length: 220"
Minimum Radius: 20"
Maximum Blind Weight: 45 lbs.
Maximum Vane Weight: 10 oz.

Extrusion Color: Clear Anodized
Vane Spacing Available: 2", 3-1/2", 4", 5"
Control Options: Cord/Chain, DA2000 (15" of straight required)
Control Positions: Right, Left
Stack Options: Center

A specially designed shaft delivers smooth, quiet operation with 100% rotation and traversing.



Arch combinations



Decomatic's innovative engineering and design brings high quality and dependability in Arch window applications.

Our Arch head rail offers you the smallest radius, tightest stacking, and most compact, heavy-duty head rail available in the industry, at an unbeatable price.

Arched tracks rotate and traverse completely and may be motorized for automatic operation. Equal spacing in vane widths from 2" to 5" is available.

NO INSIDE MOUNTS

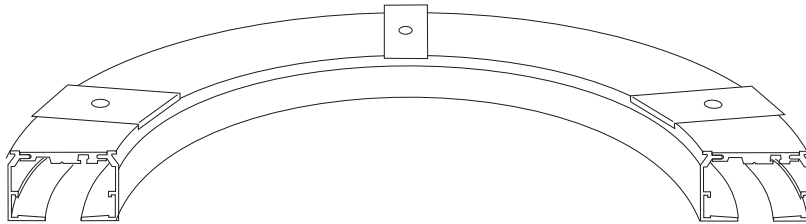
The following photographs demonstrate why INSIDE MOUNT Arch tracks will not be manufactured by Sunteca. In this series we are showing how a typical Eyebrow window will turn out (1" + light gaps) on each side due to the physical limitations of the cord lock and end caps



The following photographs demonstrate why INSIDE MOUNT and RADIUSES BEYOND 110° will not be manufactured by Sunteca. In this series we are showing how an Arch made to 180° will turn out, due to the physical limitations of the cord lock and end caps a light gap of 2" or more is created, not to mention the end vanes get caught in the head rail extrusion.



Decomatic® Curve



PRODUCT SPECIFICATIONS:

Minimum Arc Length: 10"

Maximum Arc Length: 220"

Minimum Radius: 2" vane = 18", 3-1/2" vane = 26", 4" vane = 30", 5" vane = 36"

Maximum Blind Weight: 65 lbs.

Maximum Vane Weight: 1-1/4 lbs.

Extrusion Color: Clear Anodized

Vane Spacing Available: 2", 3-1/2", 4", 5"

Control Options: Cord/Chain, DA2000 (15" of straight required)

Control Positions: Right, Left

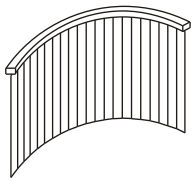
Stack Options: One-Way, Split, Center, Opposite

A specially designed shaft delivers smooth, quiet operation with 100% rotation and traversing.



Curve combinations

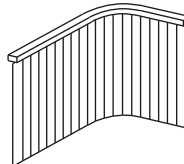
BOW



BAY



BAY/STRAIGHT
COMBINATIONS



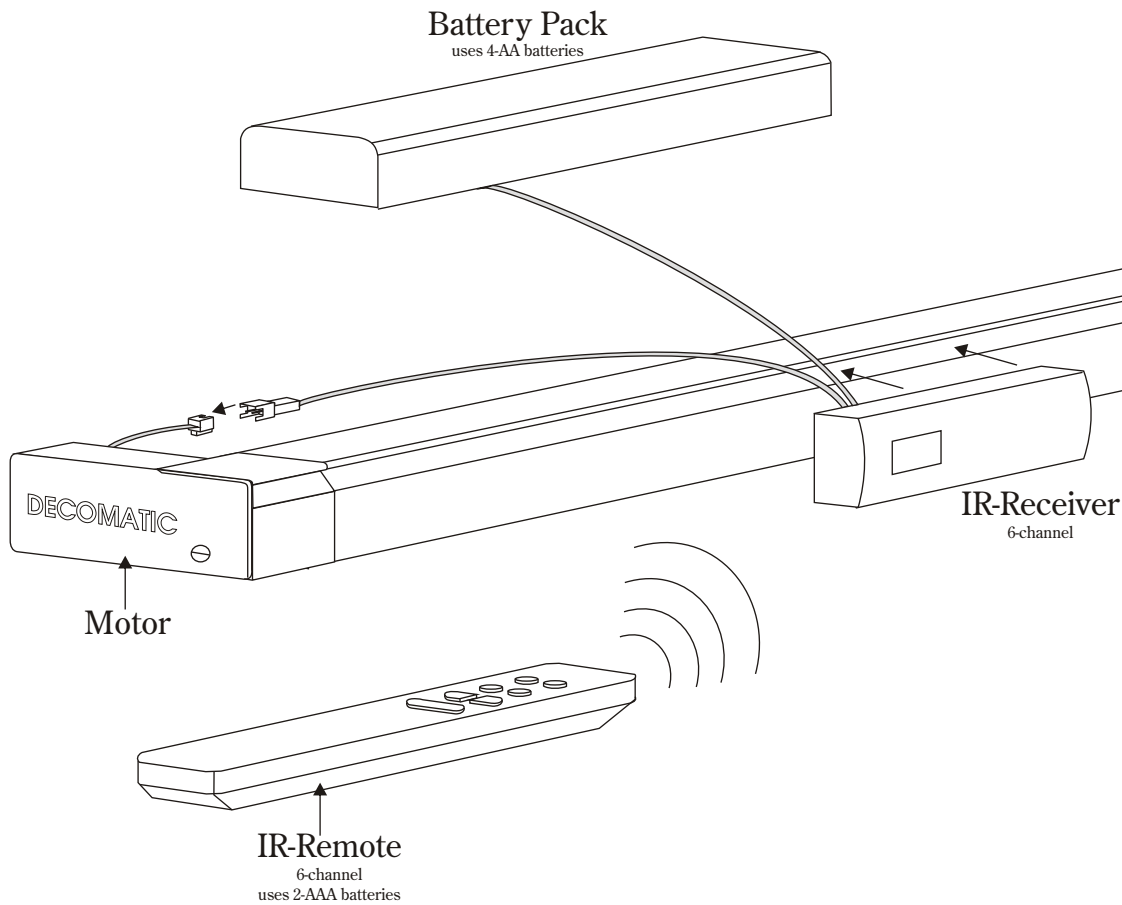
Decomatic's innovative engineering and design brings high quality and dependability in curved window applications.

Our curved head rail offers you the smallest radius, tightest stacking, and most compact, heavy-duty head rail available in the industry, at an unbeatable price.

Curved track rotates and traverses completely. Combination curve and straight is possible and may be motorized for automatic operation. Equal spacing in vane widths from 2" to 5" is available.

Decomatic[®] DA1000 (tilt only)

The Decomatic DA1000 battery powered motor is an affordable option to a hard wired system at a fraction of the cost. Allowing vane rotation of any blind from up to 50' with an average battery life on one year.



PRODUCT SPECIFICATIONS:

Minimum Width: 10"

Maximum Width: 240"

Maximum Blind Weight: 27 lbs.

Maximum Vane Weight: 1-1/4 lbs.

Extrusion Color: Clear Anodized, White

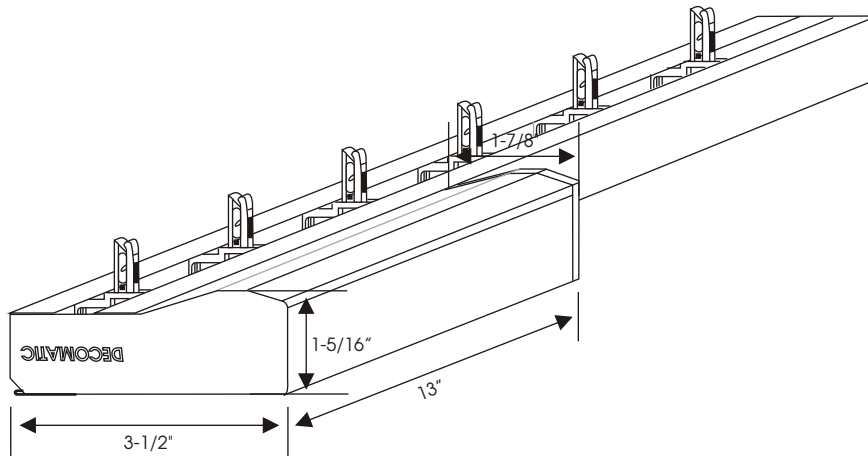
Vane Spacing Available: 2", 3-1/2", 4", 5" and custom sizes up to 8"

Control Options: DA1000/Cord

Control Positions: Right, Left

Stack Options: One-Way, Split, Center, Opposite

Decomatic® DA2000



The Decomatic motorized vertical, DA2000, is a totally integrated motorized vertical system. The microprocessor controlled drive system features easy push button controls and minimal space requirements.

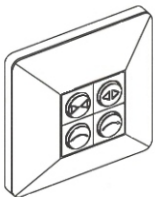
PRODUCT SPECIFICATIONS:

Minimum Width: 15"
Maximum Width: 240"
Maximum Blind Weight: 65 lbs.
Maximum Vane Weight: 1-1/4 lbs.

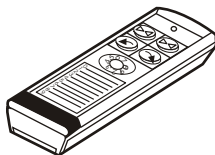
Extrusion Color: Clear Anodized, White
Vane Spacing Available: 2", 3-1/2", 4", 5" and custom sizes up to 8"
Control Options: Wall Switch, IR (infrared), RF (radio), Sun Sensor, Timer
Motor Location: Left rear
Stack Options: One-Way, Split, Center

Input Voltage: 12v
Power Consumption: 0.2-1.0 A
Tractive Power: 140 N
Torque of tilt: 30 Ncm
Traverse Speed: Approximate 10' per minute
Multiple Connections: Up to 40 blinds can be linked together to operate as one unit

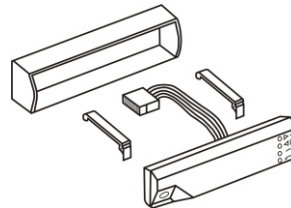
WALL SWITCH



IR & RF-REMOTE

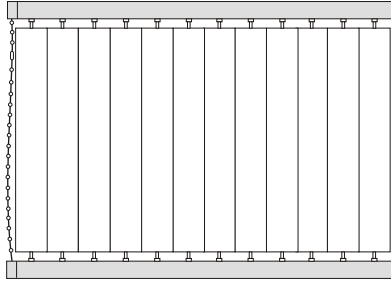


IR & RF -RECEIVER



Sun Sensor & Timer (not shown)

Decomatic® Top & Bottom



The Top & Bottom track is an excellent system for keeping the vanes secure and in position. Having both a top and bottom tracks utilizing a standard carrier hook on the top track and a spring loaded carrier hook on the bottom track to keep the vanes secure and in position. Ideal for doors or mounting near a drafty or windy environment.

PRODUCT SPECIFICATIONS:

Minimum Width: 10"

Maximum Width: 154"

Maximum Vane Length: 197"

Maximum Blind Weight: 35 lbs.

Maximum Vane Weight: 1-1/4 lbs.

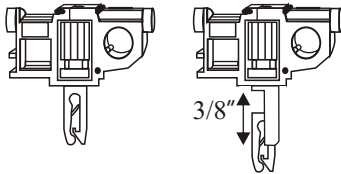
Extrusion Color: Clear Anodized, White, Bronze

Vane Spacing Available: 2", 3-1/2", 4", 5"

Control Options: Cord/Chain, DA2000 (Clear Anodized & White)

Control Positions: Right, Left

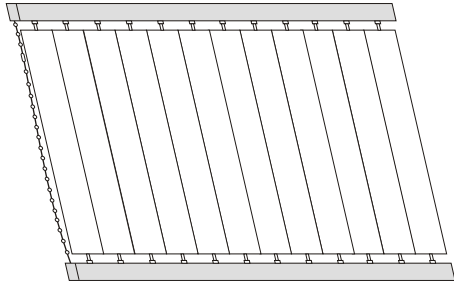
Stack Options: One-Way, Split



Spring Loaded Hook

Spring loaded hook allows 3/8" travel on each head rail to ensure tightness of vane between the two head rails.

Decomatic® Skylight



The Skylight track is an excellent system for angled walls and skylights. Having both a top and bottom track utilizing carriers with spring loaded hooks on both tracks to keeps the vanes secure and in position.

PRODUCT SPECIFICATIONS:

Minimum Width: 10"

Maximum Width: 178"

Maximum Vane Length: 78"

Maximum Blind Weight: 6.20 lbs.

Maximum Vane Weight: 1.71 oz. (light weight material recommended)

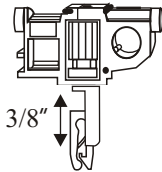
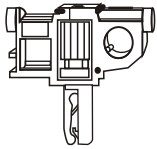
Extrusion Color: Clear Anodized, White, Bronze

Vane Spacing Available: 2", 3-1/2", 4", 5"

Control Options: Cord/Chain, DA2000 (Clear Anodized & White)

Control Positions: Right, Left

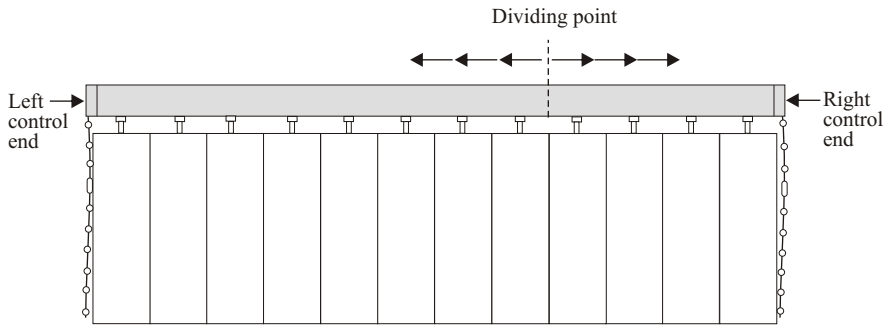
Stack Options: One-Way, Split



Spring Loaded Hook

Spring loaded hook allows 3/8" travel on each head rail to ensure tightness of vane between the two head rails.

Decomatic® Off-Center



Off-Center head rails are ideal for applications where a portion of the window covering is blocked by furniture or other obstructions and the customer wants to rotate and traverse the unobstructed portion for view or light control. Additionally, the off-center option allows for independent traversing from each end of the head rail, and still allows complete rotation of the entire blind from either end.

PRODUCT SPECIFICATIONS:

Minimum Width: 20"

Maximum Width: 240"

Maximum Blind Weight: 65 lbs.

Maximum Vane Weight: 1-1/4 lbs.

Extrusion Color: Clear Anodized, White, Bronze

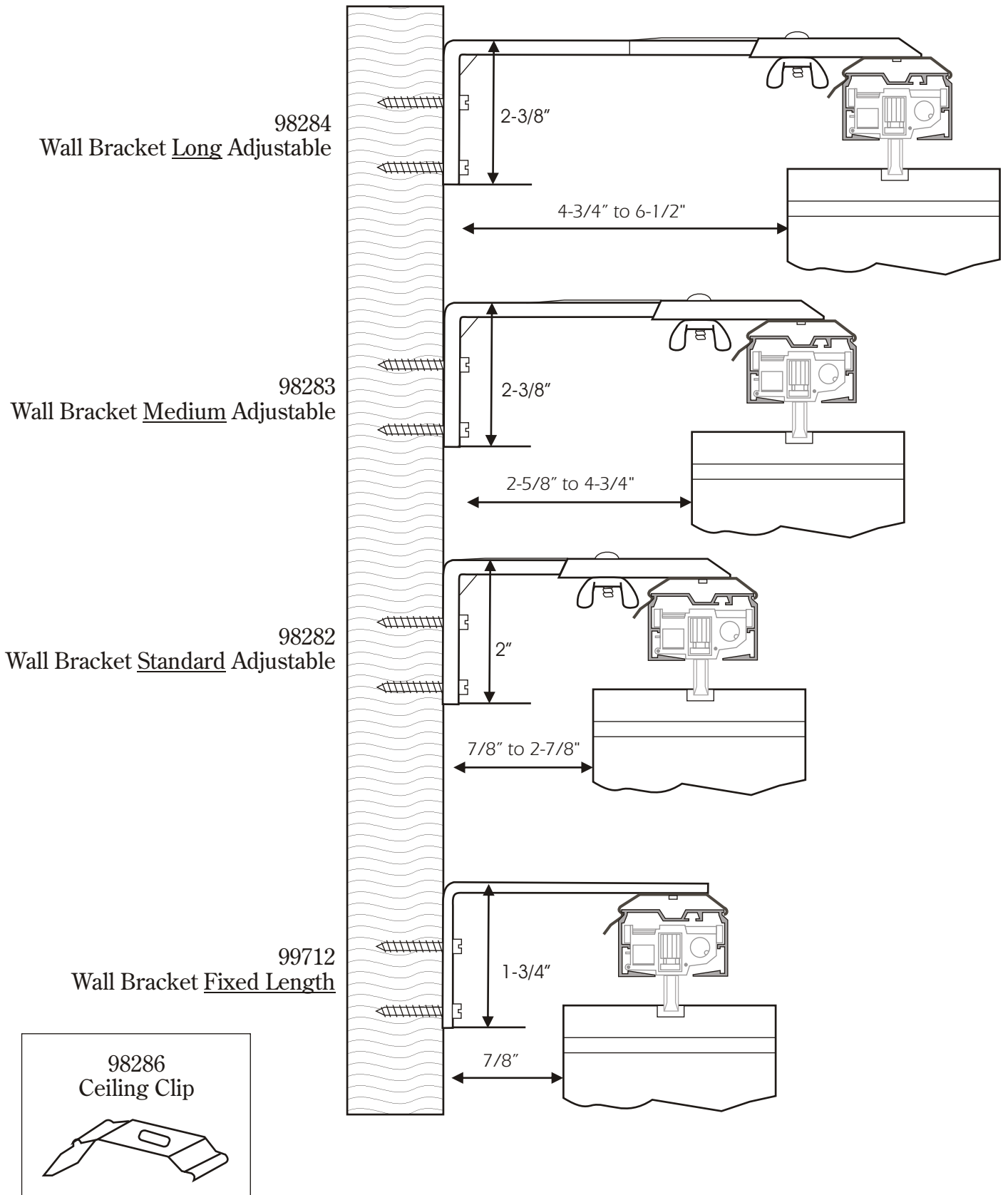
Vane Spacing Available: 2", 3-1/2", 4", 5" and custom sizes up to 8"

Control Options: Cord/Chain

Control Positions: 1-Right, 1-Left

Stack Options: One-Way, Split, Center, Opposite

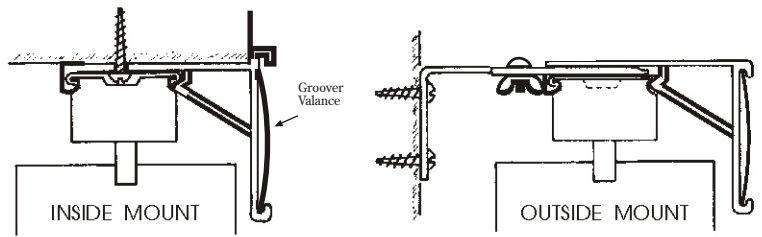
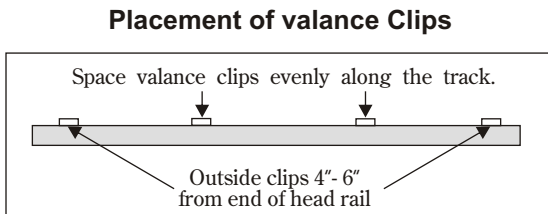
Mounting Hardware



Groover Valance

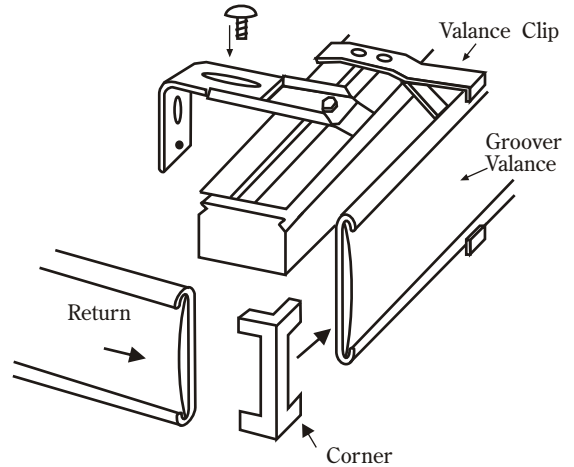
Inside Mount

With inside or ceiling mounts, mount ceiling clips then simply snap the valance clip onto the head rail (before installing the head rail into the Ceiling Clip). Insert groover valance into valance clips, assemble corners and returns as shown. The returns may need trimmed to size with heavy duty scissors.



Outside Mount

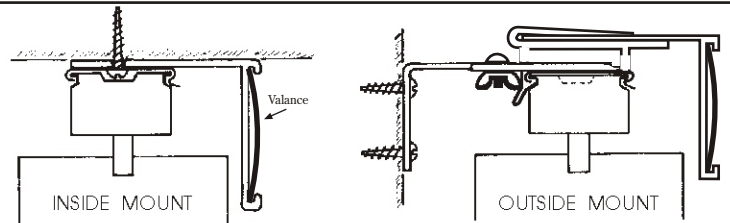
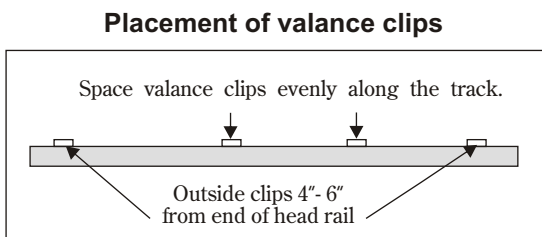
Mount head rail, snap the valance clips onto the head rail. Insert groover valance into valance clips, assemble corners and returns as shown. The returns may need trimmed to size with heavy duty scissors.



Dust Cover Valance

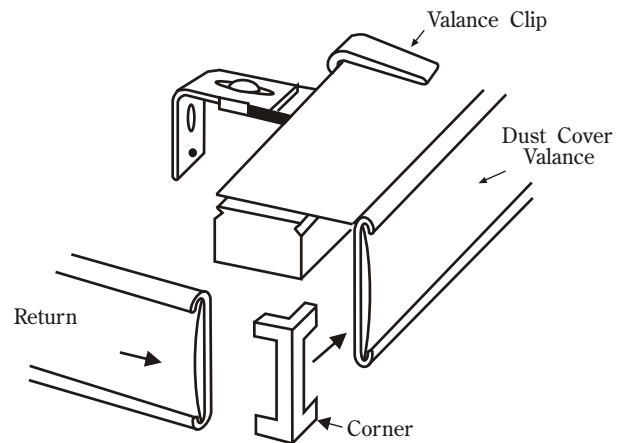
Inside Mount

With inside or ceiling mounts, simply install the ceiling clip and mounting screw through the valance as shown. Assemble corners and returns as shown. The returns may need trimmed to size with heavy duty scissors. Make sure the vane doesn't hit the inside face of the valance when rotating.



Outside Mount

Mount head rail, snap the valance clips onto the head rail. Insert the dust cover top into the valance clips, assemble corners and returns as shown. The returns may need trimmed to size with heavy duty scissors.



Decomatic[®] Warranty

Sunteca Systems, Inc. ("Company") warrants that its Products will be free from defects in materials and workmanship, under normal use and service and subject to the conditions set forth below, for the following respective time periods:

HEAD RAIL: LIFETIME LIMITED WARRANTY

Company warrants that its Head rail sold hereunder will substantially conform to the applicable specifications and will be free from defects in material and workmanship for the life of the Head rail, under normal and proper use and service.

BLIND VANES/FABRIC/PVC: 3 YEAR LIMITED WARRANTY

Company warrants that its blind louvers, or fabric, or PVC sold hereunder will substantially conform to the applicable specifications and will be free from defects in material and workmanship for a period of three (3) years after date of purchase, under normal and proper use and service.

ELECTRICAL COMPONENTS: 2 YEAR LIMITED WARRANTY

Company warrants that its Electrical components sold hereunder will substantially conform to the applicable specifications and will be free from defects in material and workmanship for a period of two (2) years after the date of purchase, under normal and proper use and service.

WARRANTY LIMITATION. This limited warranty and remedies for breach of warranty extend only to the ultimate owner at the original site of installation and do not cover, and Company shall not be liable for, (i) abnormal wear and tear or damage caused by improper installation, maintenance or use contrary to the instructions published by Company (ii) storage of Products in a wet or damp area or unprotected from weather and other job conditions (iii) any cause beyond the control of Company, including without limitation conditions caused by movement, settlement or structural defects of building in which the Products are installed, fire, wind, hail, flood, lightning or other acts of God, intentional acts, accidents, negligence or exposure to harmful chemicals, pollutants or other foreign matter or energy, or (iv) repair or damage caused by anyone except personnel authorized by Company. Products repaired or replaced and designs corrected under warranty are warranted only for the remainder of the original warranty period if a time limitation has been given. Any general product literature is for illustrative purposes only and does not amount to a warranty of any kind. Purchaser accepts full responsibility for the selection of the Products to achieve intended results.

THIS LIMITED WARRANTY AS SET FORTH HEREIN IS STRICTLY LIMITED TO ITS TERMS AND IS IN LIEU OF ALL OTHER WARRANTIES, GUARANTEES, EXPRESS OR IMPLIED, ARISING BY OPERATION OF LAW, COURSE OF DEALING, USAGE OF TRADE OR OTHERWISE, ANY IMPLIED WARRANTIES INCLUDING BUT NOT LIMITED TO ANY IMPLIED WARRANTIES OF MERCHANTABILITY OR FITNESS FOR A PARTICULAR PURPOSE SHALL BE LIMITED IN DURATION TO THE WARRANTY PERIODS OF TIME SET FORTH ABOVE.

REMEDY. PURCHASER'S SOLE AND EXCLUSIVE REMEDY UNDER THIS LIMITED WARRANTY OR ANY OTHER WARRANTY (INCLUDING ANY IMPLIED WARRANTY), AND COMPANY'S ONLY OBLIGATION FOR BREACH OF WARRANTY FOR PRODUCTS FURNISHED HEREUNDER, SHALL BE, AT COMPANY'S OPTION, TO REPAIR OR REPLACE THE DEFECTIVE ITEM(S) OR PART(S) WHICH FAIL WITHIN THE DESIGNATED WARRANTY TIME PERIOD, FREE OF CHARGE, provided that Purchaser promptly give notice, but no later than 30 days after defect(s) is discovered, to Company of such failure. In the event Purchaser claims that the Products are defective, Purchaser must return such Products to Company, prepaid FOB, to allow Company to examine the Products to determine if such Products are defective. In addition, upon Company's request, Purchaser must allow Company's personnel access and permission to inspect the Products at the site of installation or use. NOTWITHSTANDING THIS WARRANTY, UNDER ALL CIRCUMSTANCES, PURCHASER IS RESPONSIBLE FOR THE COSTS OF REMOVAL, INSTALLATION OR REINSTALLATION OF THE PRODUCT.

DISCLAIMER: LIMITATION OF LIABILITY ' TIME FOR CLAIMS. Purchaser understands and agrees that COMPANY SHALL NOT BE LIABLE FOR INCIDENTAL, SPECIAL, INDIRECT OR CONSEQUENTIAL OR OTHER SIMILAR DAMAGES including but not limited to loss of profit or revenues, damage for loss of the use of the products, damages due to delay, damage to property, claims of third parties, including personal injury or death suffered as a result of use of products or failure of Company to warn, or to adequately warn, against the dangers of the products or to instruct, or adequately instruct, about the safe and proper use of the products, whether or not the Company has been advised to the potential for such damages. The total liability of Company to Purchaser from any cause whatsoever, whether arising under contract, warranty, tort (including negligence), strict liability, products liability or any other theory of liability, will be limited to the lesser of Purchaser's actual damages or the purchase price paid to Company for the products that are the subject of Purchaser's claim. However, this limitation of liability does not apply to damages resulting from personal injury caused by Company's negligence. All claims against Company must be brought within one year after the cause of action arises, and Purchaser expressly waives any statute of limitations which might apply by operation of law or otherwise.

COMPANY SHALL NOT BE LIABLE FOR ANY DAMAGE OR PENALTIES WHATSOEVER, WHETHER, DIRECT, INDIRECT, INCIDENTAL, SPECIAL OR CONSEQUENTIAL, FOR ACTIONS AND OMISSIONS RESULTING FROM COMPANY'S FAILURE TO DELIVER OR DELAY IN DELIVERY FOR ANY REASON.

CLAIMS FOR WARRANTY SERVICE

To obtain warranty service, Purchaser must notify company and the dealer which sold the product in writing of the nature of the problem. In the written notice, Purchaser must include its name, address, telephone number, a description of the problem and the date on which the problem first occurred. A bill of sale, canceled check, receipt or other proof of purchase also must be provided to verify the date of purchase and the identity of the Purchaser. In some cases, Company may require Purchaser to ship the defective part(s), transportation or other related charges prepaid, to the nearest warranty service factory location. Purchaser must contact Company and the dealer that sold the Product as soon as possible, but no later than 30 days, after the defect(s) is discovered. If Purchaser has any problems with or questions about warranty service, please write Sunteca Systems, Inc. at Avenue A, Building # 2, Leetsdale, PA 15056.

REPLACEMENT PARTS. Replacement parts supplied by Company under this Limited Warranty are not warranted.

RESALE OF PRODUCTS. Upon resale of any Products sold hereunder, Purchaser agrees to extend to its customers no greater warranties than those contained herein and limit its liability and remedies to the same extent as those set forth herein.

SEPARABILITY; INVALIDITY. If any portion of this Limited Warranty shall for any reason be held by a court of competent jurisdiction to be invalid and unenforceable, the valid and enforceable provisions will continue to be given effect and bind parties hereto.